

HOW TO USE YOUR RED DOT SIGHT

BEFORE MOUNTING YOUR SCOPE

Be sure to read carefully the operating instructions of the sight. Be sure that your gun is not loaded before fitting the red dot sight onto the gun. Always follow safe gun handling procedures.

- Always keep muzzle pointed in a safe direction
- Gun should be unloaded when not in use
- Be sure of your target and what is beyond it
- Always wear eye and ear protections when shooting
- Familiar yourself with the gun you are using

30mm Red Dot Sights

As there is no set eye relief for red dot sights, allow a minimum of three inches of space between the eyepiece and the shooter's eye when in the shooting position.

Install the included 30mm rings onto the base or bases by aligning and seating the crossbolt of the ring into the crosscut grooves of the base. Tighten each crossbolt lock-nut with a screwdriver or coin.

Separate the upper and lower halves of each ring using the included hex wrench to remove the two screws.

Place the scope in the cradle formed by the lower ring halves. Replace upper ring halves and partially tighten screws.

Rotate the scope in the rings so that the elevation adjustment is on top.

Red Dot Sight With Integrated Rail

Set the rail onto the base or bases. Align and seat the crossbolt of the ring into the cross cut grooves of the base. Tighten each crossbolt lock-nut with a screwdriver or coin.

NOTE: For additional security, add a drop of thread-locking compound to the center of each lock-nut.

CAUTION: BE SURE THAT THE FIREARM IS NOT LOADED. PRACTICE SAFE FIREARM HANDLING PROCEDURES AT ALL TIMES.

INSTALLING BATTERIES

Red dot sight is powered by one 3V lithium coin style battery, type 2032. To install the battery, unscrew the battery compartment cap on top of the rheostat knob and insert the batteries positive (+) side up. Replace the battery cover. If the red dot dims or does not light at all, replace the battery with a fresh one.

CAUTION: SINCE ZEROING INVOLVES ACTUAL SHOOTING OF LIVE ROUNDS, IT SHOULD BE DONE AT AN APPROVED RANGE OR EQUALLY SAFE AREA. BE SURE TO USE EYE AND EAR PROTECTION WHEN SHOOTING.

ZEROING

Activate the red dot sight and adjust for desired brightness by turning the rheostat knob. The lower numbers represent dimmer settings and the higher numbers represent brighter settings of illumination. The "0" position indicates that the unit is off.

Before start Zeroing, first remove the windage and elevation adjustment screw caps. With the scope leveled and mounted, rest the gun on a solid support. Sight along the barrel and aim at a target 50 to 100 yards away. Sight through your red dot sight and use the windage and elevation adjustments to align the lighted red dot with the target as seen along the barrel.

Fire three rounds at the target. Note the points of impact on the target. Find the center of the three-round

group and adjust the windage and elevation dials accordingly to move the point of impact onto the center of the target. Repeat this process if necessary.

NOTE: Some red dot models use detachable 2X magnification objective lens. Use of this lens after Zeroing will change point of impact.

CAUTION: DIRECT VIEWING OF THE SUN CAN CAUSE PERMANENT EYE DAMAGE. DO NOT ATTEMPT TO VIEW THE SUN WITH THIS PRODUCT.



REPLACEMENT BATTERIES: DURACELL DL2032; SUNRISE CR2032; RADIO SHACK 5004L. Other brands of batteries not listed are available and suitable for use in the red dot sight. Refer to "coin cell" NEDA type when purchasing batteries.

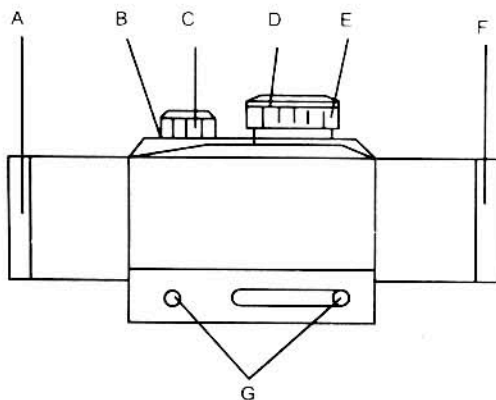
NOTE: Always remember to turn off power when finish using the red dot sight. Always carry a replacement battery.

TAKING CARE OF YOUR RED DOT SIGHT

When not in use, the red dot sight should be kept in a clean, dry and ventilated place away from any corrosive material. Never try to take the scope apart or try to clean it internally. Send your scope to a qualified service station if it ever need repair. Lens surface may be cleaned with lens cloth.

A: Objective End **B:** Windage Adjustment **C:** Elevation Adjustment **D:** Battery Compartment Cap
E: 7-Position Rheostat Knob **F:** Eyepiece **G:** Locking Nuts

Red Dot Sight with Rail



30mm Red Dot Sight

